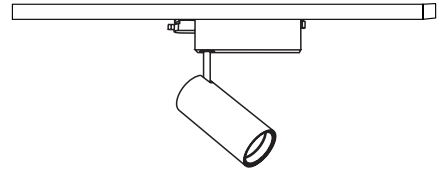


# Installation instructions

## 安装说明书

Suitable for use with similar products / 适于用同类产品



Track Light / 轨道灯

### Installation Guide / 安全指引

The appliance should be installed, connected and tested by qualified electrician, and in accordance with local regulations. 电器应由合格的电工安装、连接和测试，并符合当地法规。

Turn off the power supply before installation or maintenance of the appliance, and make sure that the cables will not be squeezed or damaged by sharp edges.

在安装或维护设备之前，请关闭电源，并确保电缆不会被锋利的边缘挤压或损坏。

Ensure that LED lighting fixtures do not come into contact with corrosive chemicals, solvents, or abrasive cleaners.

确保 LED 灯具不会接触到腐蚀性化学物质、溶剂或研磨清洁剂等。

To avoid injury or damage to the lighting fixtures, please ensure that the power cord and lighting fixtures are securely installed before connecting the power supply.

为避免受伤或损坏灯具，请在连接电源前确保电源线和灯具安装牢固。

### Install program / 安装程序

1. After unpacking, please check if the accessories are complete. 拆开包装后，请检查配件是否齐全。

2. According to the markings on the design and construction drawings, determine the installation position of the track strip on the ceiling and fix the guide rail strip with screws.

根据设计施工图纸上的标注，在天花板上确定轨道条安装位置，用螺丝将导轨条固定好。

3. The lamp body has been connected to the driving power supply. Pull the handle on the track box/rail head to retract the power spring at the connection end, press the connection end into the groove of the track strip, and pay attention to the direction.

灯体内已连接驱动电源，扳动轨道盒/导轨头上的手柄将接驳端的接电弹片收起，将接驳端压入轨道条凹槽内，注意方向。

4. Rotate the handle 90 degrees in the opposite direction to ensure that the light fixture is securely installed on the track strip.

反方向扳动手柄 90 度，确保灯具稳固安装于轨道条上。

5. After checking the installation of lamps and lanterns, adjust the illumination angle of lamps and lanterns, and turn on the power supply to use.

检查灯具安装完毕后，调整好灯具的照射角度，打开电源即可使用了。

### WARNING / 警告

LED lighting fixtures are low voltage distribution. Before connecting the 220V power supply, please ensure that the device is correctly connected to the driver. Otherwise, it will damage the equipment. After activation, hot swapping is not allowed in the drive.

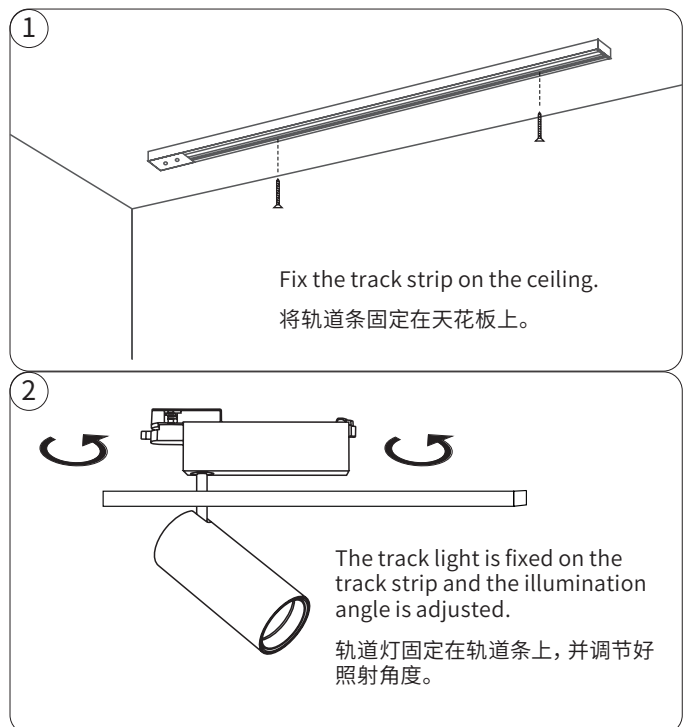
LED 灯具为低压配电。在连接 220V 电源之前，请确保设备已正确连接到驱动器。否则，会损坏设备。开启后，驱动器中不允许热插拔。

Before any maintenance, adjustment, or cleaning of the lighting fixtures, always ensure that the power is turned off and the LED fixtures have cooled down. Electrical appliances can be cleaned with a soft cloth and standard pH neutral detergent.

在对灯具进行任何维护、调整或清洁之前，始终确保电源已关闭，LED 灯具已冷却。可用软布和标准 PH 中性洗涤剂清洁电器。

Electrical appliances should not be covered with insulation blankets or similar materials. Otherwise, it is easy to cause fire accidents.

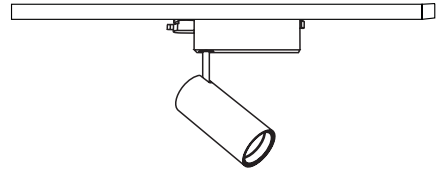
电器不应被隔热毯或类似材料覆盖。否则易造成火灾故障。



# Installation instructions

## 安装说明书

Suitable for use with similar products / 适于用同类产品



Track Light / 轨道灯

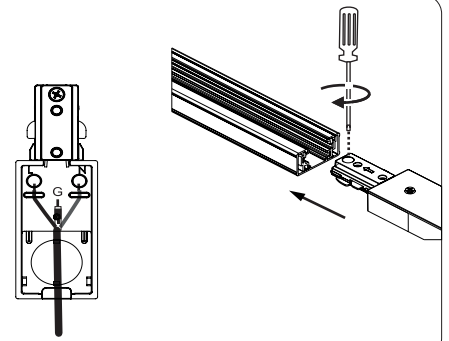
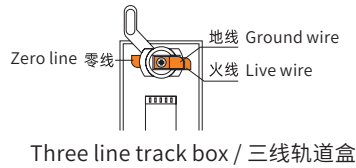
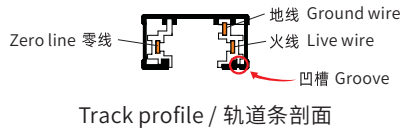
### Wiring method of power inlet / 进电头接线方式

The wiring method of the three wire one circuit inlet head.

三线一回路进电头接线方式。

One side of the two copper sheets at the head of the track corresponds to the ground wire and live wire of the track strip.

轨道头两个铜片的一边对应轨道条地线和火线。

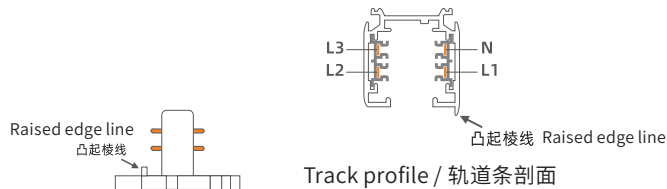


The wiring method of the four wire and three circuit inlet head.

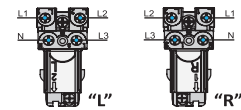
四线三回路进电头接线方式。

The raised edge on the track bar corresponds to the side of the track box/track head without raised edge.

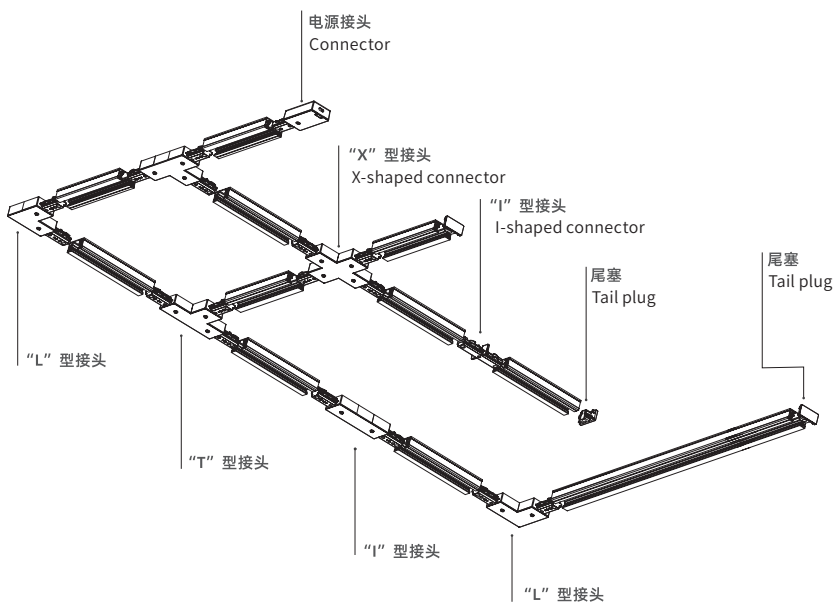
轨道条上凸起棱线一面对应轨道盒 / 轨道头无凸起棱线一面。



Four line track box / 四线轨道盒



### Rail rail accessories and connections / 轨道条配件及连接



Type I straight line connection / “I”型直线连接



Type T straight line connection / “T”型直线连接



Type L straight line connection / “L”型直线连接



Type + straight line connection / “+”型直线连接

